

ZEUS SERIES

AC SLIDING GATE OPENER

USER MANUAL



Reuse
Reduce
Recycle



INDEX

1. General Precaution:	2
2). Installation:	3
2.1 Standard Installation Demonstration	3
2.2 Description Of Device	3
2.3 Dimension Of Device	4
2.4 Installation Of Motor Gear And Gear Rack	4
2.5 Checking For Installation	5
2.6 Emergency Release	5
2.7 Control Board	6
3). Setting Of A Control Board	7
3.1 Sw1 Dip Switch Setting – Power Supply	7
3.2 Sw2-1 Photocells Setting	7
3.3 Sw2-2 Photocells Setting	7
3.4 Sw2_3, Sw2_4 Gate Auto Opening/closing Adjustment	7
3.5 Sw2_5 Transmitter Function	7
3.6 Sw2_6 Wi-fi	7
3.7 Sw2_7 Buzzer	7
3.8 Closing Direction	8
3.9 Vr Adjustable Vr Knobs	8
4). Transmitter Setting And System Learning	8
4.1 Transmitter Setting	8
4.2 System Learning	8
4.3 Transmitter Copy	8
4.4 Gate Operating	8
5). Other Function	9
5.1 Led Indications	9
5.2 Deceleration Function	9
5.3 Gate-moving Logic	9
5.4 Wires Connecting For Two Gates / Operating	9
6). Technical Characteristics:	9
6.1 Technical Data Sheet Of ZEUS Series	9
6.2 Transmitter Data Sheet	9
7). Photocell Installation Guide	10
8). WIFI Installation Guide	11-14

1. GENERAL PRECAUTION:

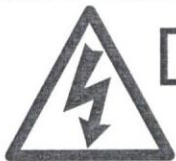
WARNING :

This user manual is only for qualified technicians who is specialized in installations and automations.

- (1) All installations, electrical connections, adjustments and testing must be performed only after reading and understanding of all instructions carefully.
- (2) Before carrying out any installation or maintenance operation, disconnect the electrical power supply by turning off the magneto thermic switch connected upstream and apply the hazard area notice required by applicable regulations
- (3) Make sure the existing structure is up to standard in terms of strength and stability
- (4) When necessary, connect the motorized gate to reliable earth system during electricity connection phase.
- (5) Installation requires qualified personnel with mechanical and electrical skills.
- (6) Keep the automatic controls (remote, push bottom, key selectors...etc) being placed properly and away from children.
- (7) For replace or repair of the motorized system, only original parts must be applied. Any damage caused by inadequate parts and methods will not be claimed to motor manufacturer.
- (8) Never operate the drive if you have any suspect with what it might be faulty or damage to the system.
- (9) The motors are exclusively designed for the gate opening and closing application, any other usage is deemed inappropriate. The manufacture should not be liable for any damage resulting from the improper use. Improper usage should void all warranty, and the user accepts sole responsibility for any risks there by may accrue.
- (10) The system may only be operated in proper working order. Always follow the standard procedures by following the instructions in this installation and operating manual.
- (11) Only command the remote when you have a full view of the gate.

BLANCO AUTOMATION INC. shall not be liable for any injury, damage, or any claim to any person or property which may result from improper use or installation of this system.

Please keep this installation manual for future reference.

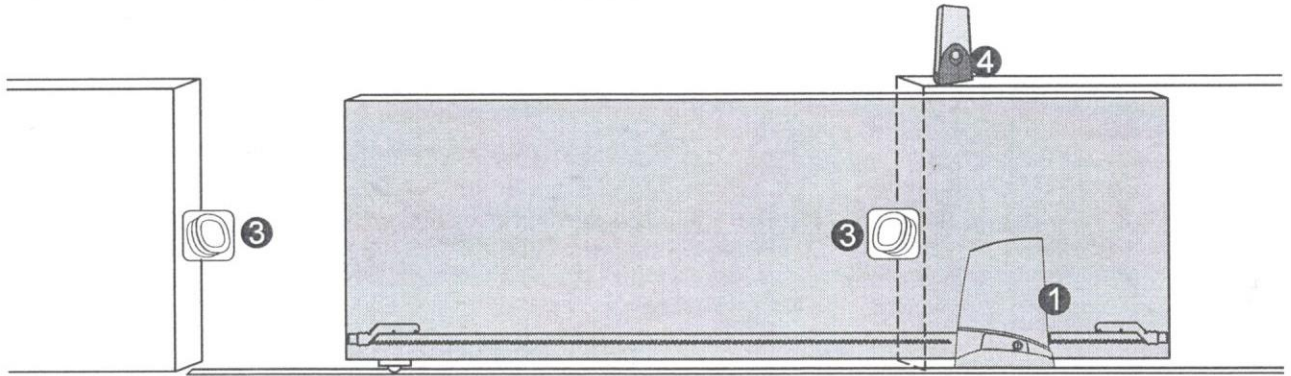


DANGER
230 VOLTS

Do not touch the control board or exposed wires when the power is connected and turned on.
Before touching the control panel, please turn off the power switch or disconnect the power supply.

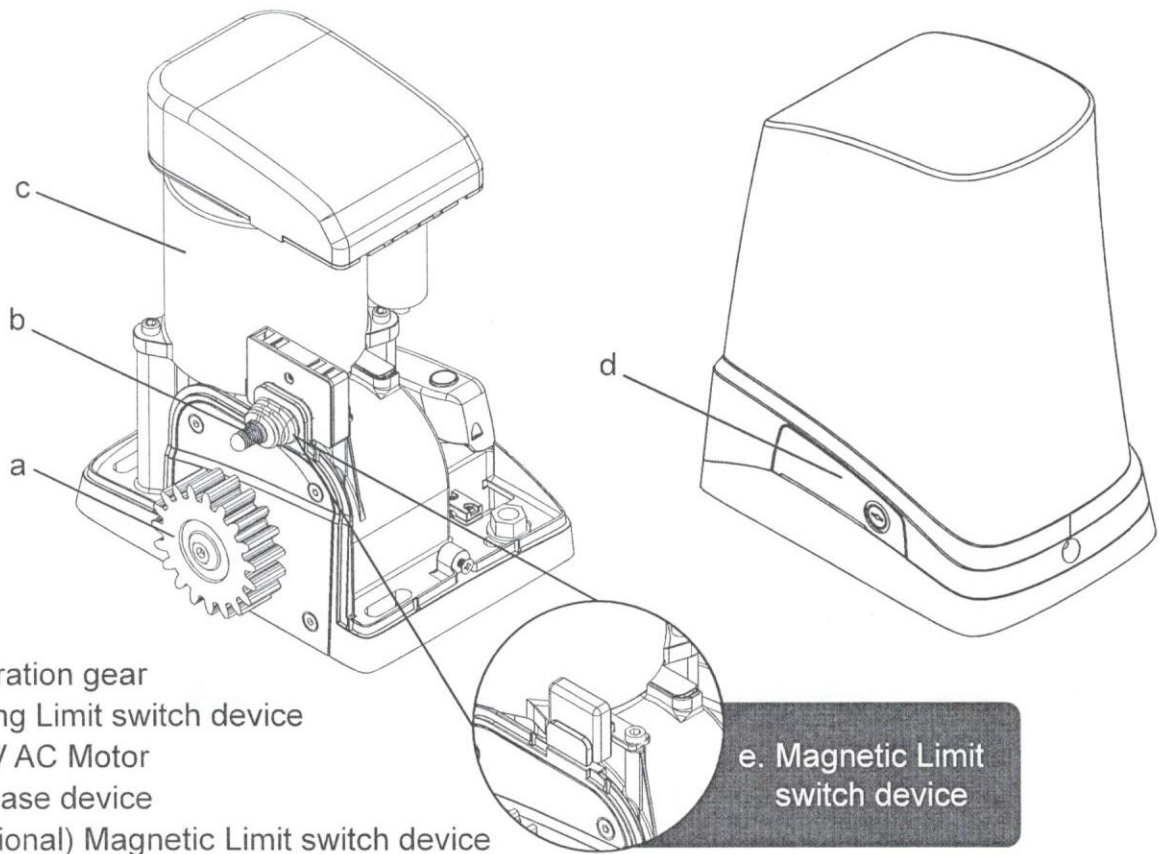
2). INSTALLATION:

2.1 STANDARD INSTALLATION DEMONSTRATION



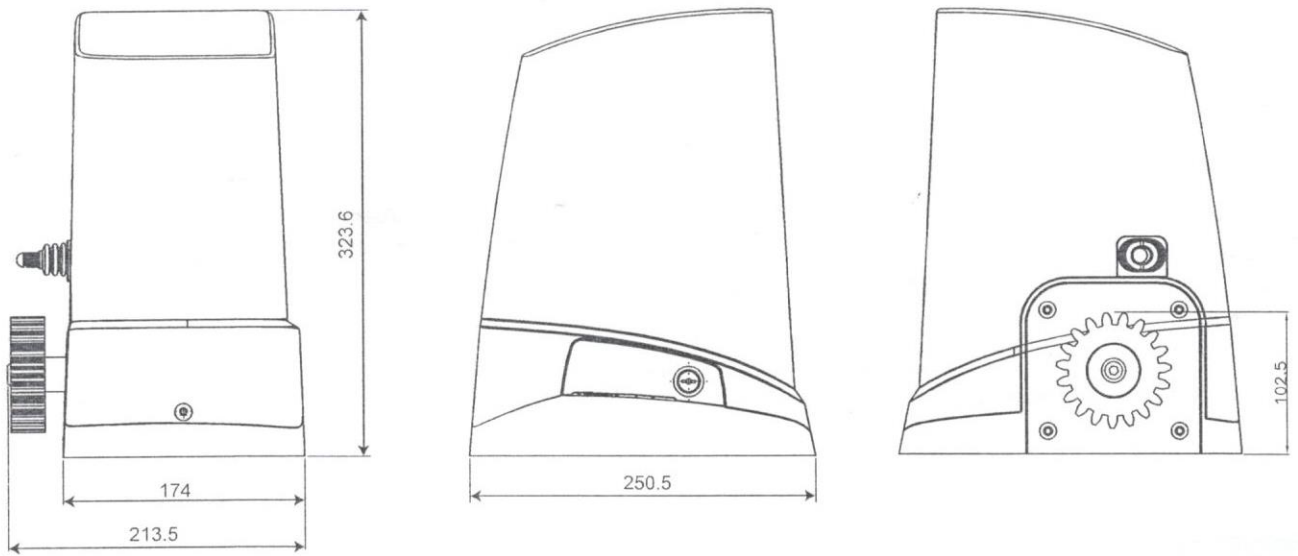
1. Sliding motor
2. Transmitter
3. Safety photo sensor
4. Flashing light

2.2 DESCRIPTION OF DEVICE

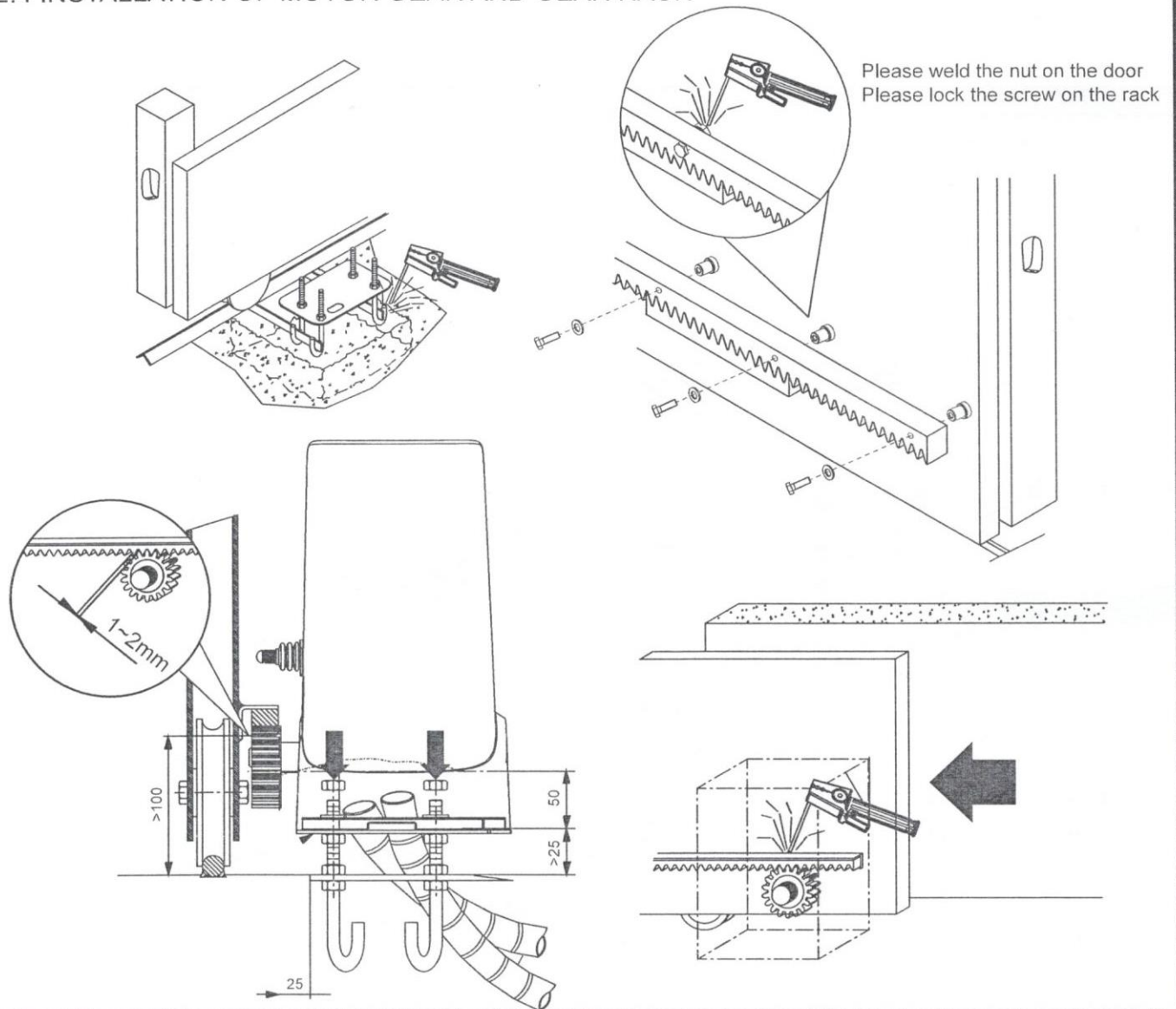


- a. Operation gear
- b. Spring Limit switch device
- c. 230V AC Motor
- d. Release device
- e. (Optional) Magnetic Limit switch device

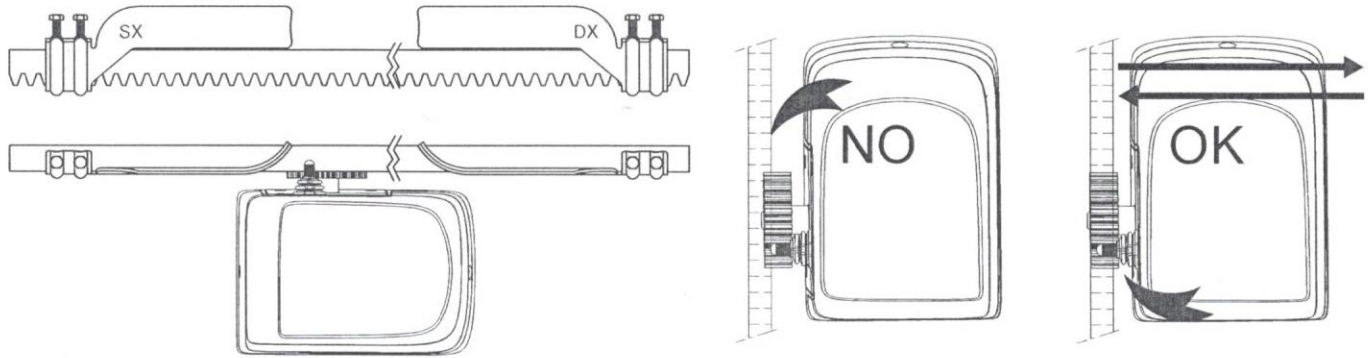
2.3 DIMENSION OF DEVICE



2.4 INSTALLATION OF MOTOR GEAR AND GEAR RACK



2.5 CHECKING FOR INSTALLATION



2.6 EMERGENCY RELEASE

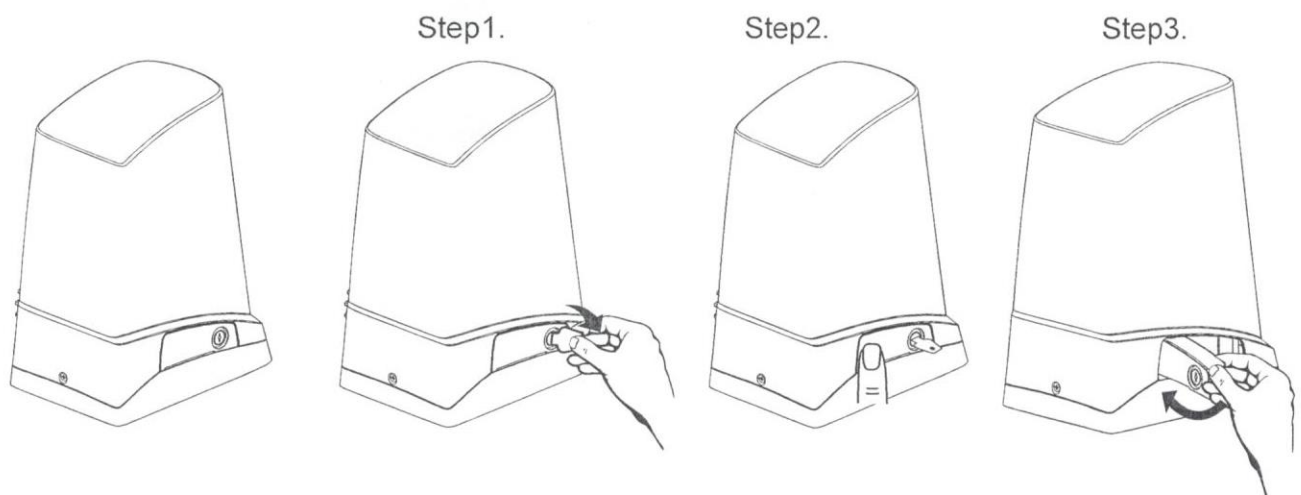
In the case of power failure for emergency release of the motor, please follow the procedure as below:

Step1. Insert the key into the release slot and turn the release key counter-clockwise.

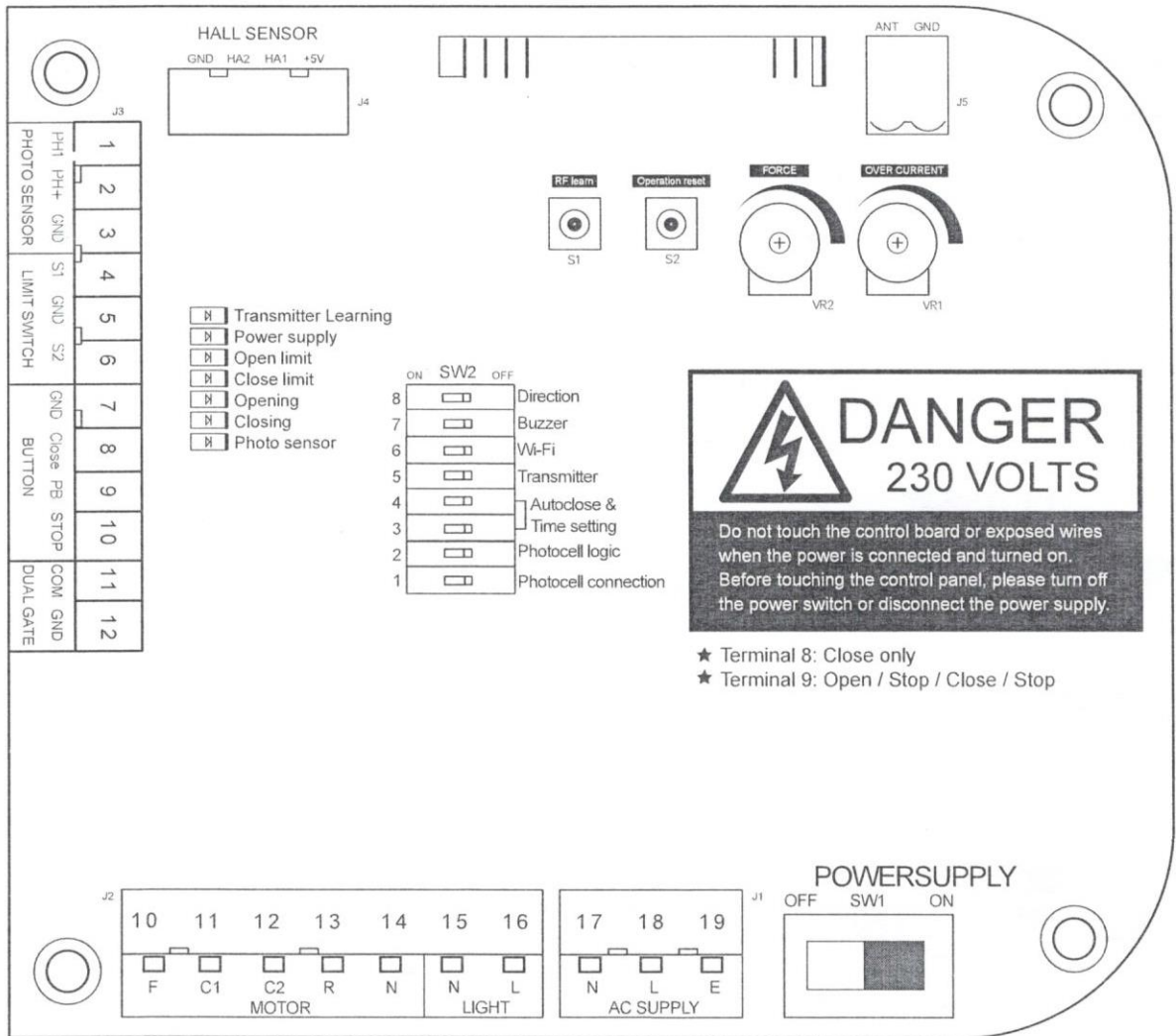
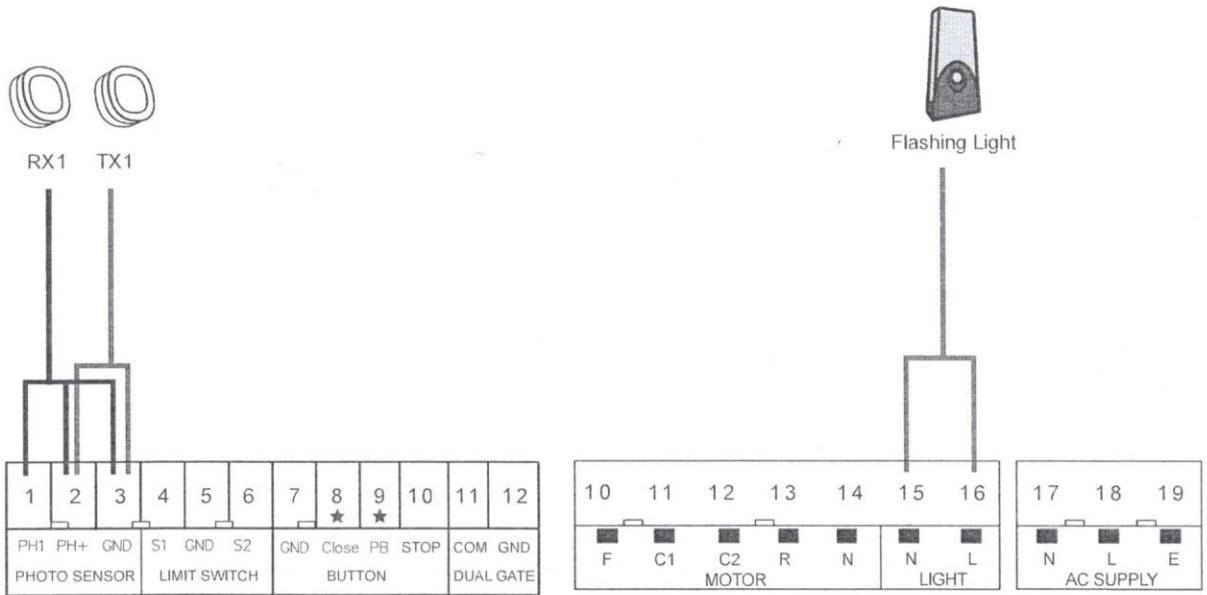
Step2. Push the release bar out of the device

Step3. Pull the release bar.

To restore the automation, simply repeat the above procedure.



2.7 CONTROL BOARD





DANGER

230 VOLTS

Do not touch the control board or exposed wires when the power is connected and turned on. Before touching the control panel, please turn off the power switch or disconnect the power supply.

- ★ Terminal 8: Close only
- ★ Terminal 9: Open / Stop / Close / Stop

3). SETTING OF A CONTROL BOARD

ON SW2 OFF		SW1	Power Supply	
8			SW2_1	Photocell Setting
7			SW2_2	Photocell Setting
6			SW2_3	Auto-Closing ON
5			SW2_4	Auto-Closing OFF
4			SW2_5	Transmitter Function
3			SW2_6	Wi-Fi
2			SW2_7	Buzzer
1			SW2_8	Direction

3.1 SW1 DIP SWITCH SETTING – POWER SUPPLY

ON: Power Supply ON, the control board can be operated.

OFF: Power Supply OFF

3.2 SW2-1 PHOTOCELLS SETTING (REFER TO 7.PHOTOCELL INSTALLATION GUIDE)

Warning:

Please check the photocells are not connected the control panel properly before start. Otherwise, the motor will stop even if the SW2-1 is on.

ON: Photocells function On and the photocells can be triggered.

OFF: Photocells function OFF.

3.3 SW2-2 PHOTOCELLS SETTING

ON: Opening - When Photocells detecting obstacles, motor stops immediately and waits for next indications..

Closing - When Photocells detecting obstacles, motor stops, reverses fully and waits for next indications.

OFF: Opening - When Photocells detecting obstacles, motor stops immediately and waits for next indications.

Closing - When Photocells detecting obstacles, motor stops immediately and waits for next indications.

3.4 SW2_3, SW2_4 GATE AUTO OPENING/CLOSING ADJUSTMENT

(1)SW2_3 OFF : SW2_4 OFF : Auto-Closing is OFF

(2)SW2_3 ON : SW2_4 OFF : Auto-Closing is ON, gate closes automatically after 15 seconds.

(3)SW2_3 OFF : SW2_4 ON : Auto-Closing is ON, gate closes automatically after 30 seconds.

(4)SW2_3 ON : SW2_4 ON : Auto-Closing is ON, gate closes automatically after 60 seconds.

3.5 SW2_5 TRANSMITTER FUNCTION

ON: A button "Open", B button "Stop", C button "Close"

OFF: A button "Close", B button "Stop", C button "Open"

3.6 SW2_6 WI-FI (REFER TO 8.WB-001 INSTALLATION GUIDE)

ON: Wi-Fi function is on

OFF: Wi-Fi function is off

3.7 SW2_7 BUZZER

ON: Buzzer is on.

OFF: Buzzer is off

3.8 SW2_8 CLOSING DIRECTION

ON : Outer metal gear goes clockwise as closing.

OFF : Outer metal gear goes counter-clockwisely as closing

3.9 VR ADJUSTABLE VR KNOBS

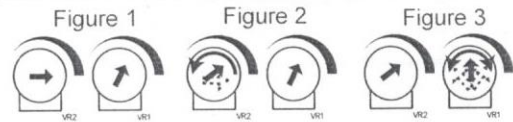
VR1 : Over Current Adjustment: Turning clockwise to increase.

VR2 : Force adjustment: Turning clockwise to increase.

Step1. Please turn VR1 & VR2 clock-wisely to the maximum. The force at this stage is with max. torque.

Step2. Force adjustment: Please turn VR2 counter clock-wisely until the gate could be stopped easily by hand, and the motor is still working.

Step3. Over Current Adjustment: Please turn VR1 counter clock-wisely until opening gate and working motor be stopped.

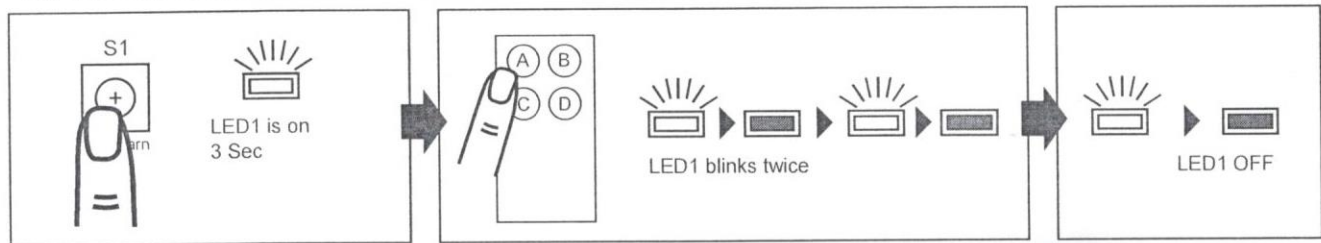


4). TRANSMITTER SETTING AND SYSTEM LEARNING

4.1 TRANSMITTER SETTING

a. Remote learning: Press S1 3 seconds to enter transmitter learning mode and LED1 is on. Please press the left button (A button) on transmitter in 10 seconds, LED1 blinks twice and keeps on. After LED1 goes off (about 10 sec.) remote learning completes.

b. Cleaning the remote memories: Press S1 until LED1 goes off (about 10 sec.) After 10 sec., LED1 blinks 5 times and off. The Remote memories are removed.



4.2 SYSTEM LEARNING

Step 1 : After initialization, the gate must be closed to the complete closed position. Press the button A on the remote, the gate will move to the closed position with 50% of full speed

Step 2 : After the gate reaches to the closed position from step 1, the gate will turn and go to the complete opened position. The gate will move to the opened position by 10 seconds of full speed at first and 50% of full speed until having reached to the opened position.

Step 3 : Each operation during system learning from closed to opened or opened to closed position (The stroke) must be completed under 110 seconds. Otherwise the motor will stop to prevent the overheat situation.

Step 4 : After the gate reaches to the opened position, the system learning is finish.

Step 5 : If the gate hasn't accomplished the system learning from position to position, the motor will move to another position by 50% of full speed.

Step 6 : After system learning, the gate will move to the limit switch by full speed for 95% of stroke and 20% of full speed for 5% at the end of stroke.

Step 7 : Each operation after system learning from position to position should be under 90 seconds. Otherwise the motor will stop to prevent the overheat situation.

Reset System Learning :

Press the button "S2" for 5 seconds, the LED1 blinks 3 times indicating that the previous system learning is reinitialized. The motor should be operated by following the system learning process from Step 1 to Step 7 as above.

4.3 TRANSMITTER COPY

Press the A/B button on the learned transmitter more than 3 seconds. When the buzzer sound is heard, please press any button on the new remote for 2 seconds to copy the setting. If no connecting with new remotes for more than 10 seconds, the remote copy system will end automatically.

4.4 GATE OPERATING

Press A/D button on remote for 10 seconds, keep pressing will activate the motor compulsively. (Compulsively opening operation is applicable for motor with obstacle and photocells error)

Press C/D button on remote for 10 seconds, keep pressing will activate the motor compulsively. (Compulsively closing operation is applicable for motor with obstacle and photocells error)

5). OTHER FUNCTION

5.1 LED INDICATIONS

LED	Function	LED Color
LED1	transmitter and system learning indicator	RED
LED2	Power Supply	RED
LED3	Motor meets open limit	GREEN
LED4	Motor meets close limit	RED
LED5	Opening	GREEN
LED6	Closing	RED
LED7	Photocells	RED

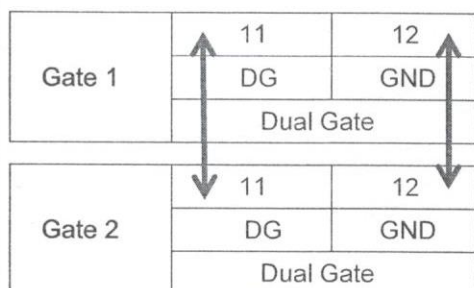
5.2 DECELERATION FUNCTION

The 5% of the final stroke is the deceleration zone. The gate moves with 20% full speed till closed or limit switch is triggered.

5.3 GATE-MOVING LOGIC

(A) In gate opening/closing phrase: For safety concern, opening/closing gate stops when running into obstacle
 (B) Initial system working and the first operating of the corrective motor, motor closes 10 seconds with full speed, then move with decelerated speed till limit-switch triggered. The system will memorize each operating time and also adjusting the decelerated area.

5.4 WIRES CONNECTING FOR TWO GATES / OPERATING



Connecting the terminal (DG and GND) on both control boards with 2 x 0.75m cable (see left figure), which could open both gates. Transmitter only needs to do the system learning with one motor. When pressing the transmitter, both motors will operate at the same time.

6). TECHNICAL CHARACTERISTICS:

6.1 TECHNICAL DATA SHEET OF ZEUS SERIES

	ZEUS700	ZEUS1000	ZEUS1500
Specification	700KG Series	1000KG Series	1500KG Series
Power Supply	AC230V 50Hz	AC230V 50Hz	AC230V 50Hz
Max. gate weight	700kg	1000kg	1500kg
Max. gate speed	17.4 mm/seconds	17.4 mm/seconds	17.4 mm/seconds
Limit Switch	Spring / Magnetic	Spring / Magnetic	Spring / Magnetic
Temperature	-20°C ~ +65°C	-20°C ~ +65°C	-20°C ~ +65°C
Protection Class	IP 54	IP 54	IP 54

6.2 TRANSMITTER DATA SHEET

Application	Radio Transmitter
Frequency	433.9Mhz
Coding	Rolling Code
Buttons	4 Buttons
Power Supply	3V with one CR2032 button type lithium battery
Operating Temperature	-20°C ~ +50°C
Dimension	71.5mm * 33mm * 14mm

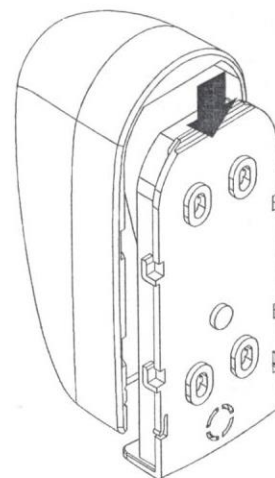
7).PHOTOCELL INSTALLATION GUIDE

The safety photocells are security devices for control automatic gates. Consist of one transmitter and one receiver based in waterproof covers; it is triggered while breaking the path of the beams.

SPECIFICATION:

Detection Method	Through Beam
Sensing Range	25M
Input Voltage	AC/DC 12~24V
Response Time	100MS
Emitting Element	IR LED
Operation Indicator	Red LED(RX): ON(When Beam is Broken), Green(TX):ON
Dimensions	96*45*43mm
Output Method	Relay Output
Current Consumption Max	TX: 35MA/Rx: 38MA (When beam aligned properly); TX: 35MA/ Rx: 20MA (When beam is broken)
Water Proof	IP54

fig.1



INSTALLATION:

1. Open the cover(fig.1) and connect wires(fig.2)
2. Mounted the receiver and transmitter on the proper position (fig.3).
3. Ensure there are no obstacles between receiver and transmitter.
For optimal efficiency, the receiver and transmitter should be properly aligned.
4. Power-up the photocells and make sure the LED light on receiver and transmitter are ON.

fig.2

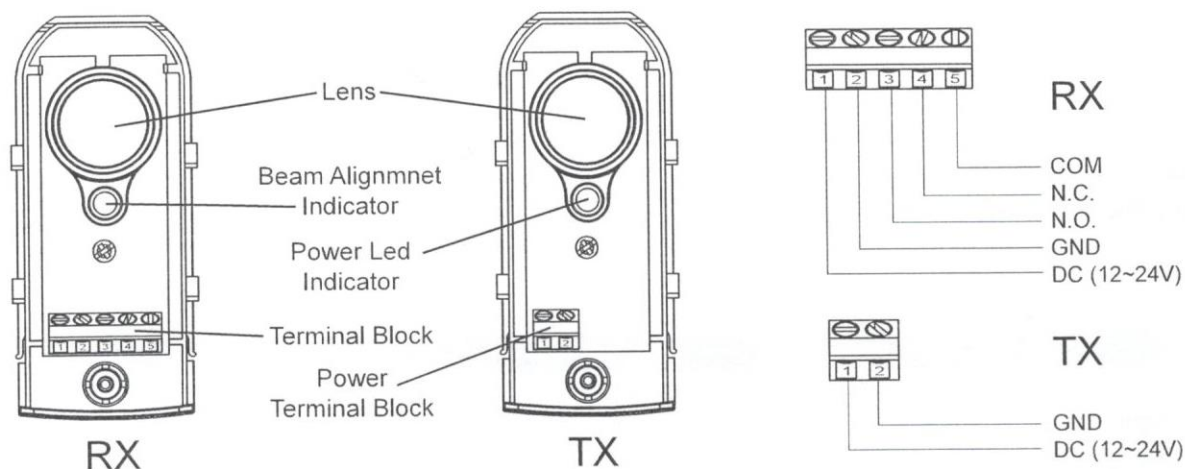
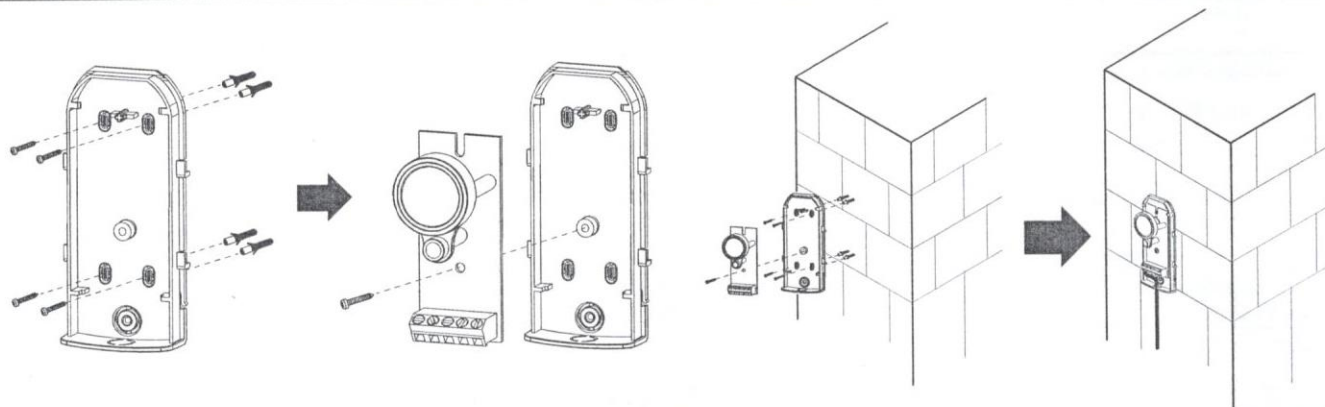


fig.3



8). WIFI INSTALLATION GUIDE

Introduction

Wi-Fi Box allows your gate opener to be connected to home Wi-Fi, and you are able to open and close the door with your phone or other mobile devices. When the door status or any setting has been changed, you will instantly receive a push notification on your phone. Wi-Fi Box not only makes your home automated accesses easier to use but also enhances security giving you peace of mind.

With Wi-Fi Box, you don't have to disassemble the opener before you program it, which saves you a lot of installation and maintenance time.

Safety Precautions

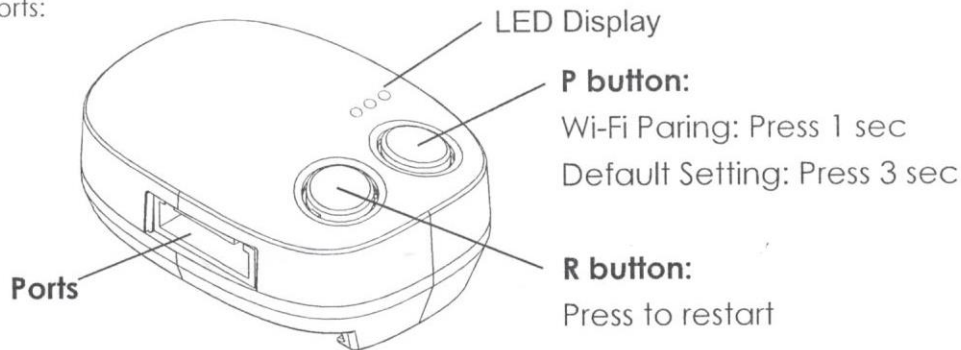
- Do not attempt to disassemble, repair, or modify Wi-Fi Box because it may possibly result in accidents and serious injuries, and invalidating the warranty.
- Do not let children operate the APP without adults presenting.
- Keep Wi-Fi Box away from water and fire. If the water spills on Wi-Fi Box, please turn off the power immediately and send it back to our original equipment manufacturer.
- Make sure the wires are connected properly.
- If Wi-Fi Box is damaged in any way, please stop using it, and immediately contact a qualified installer to repair it.
- If an invalid situation happens to Wi-Fi Box that you can neither fix it nor find a solution in the manual, please contact a qualified installer to examine it.

What you need when installing:

- Wi-Fi: The home Wi-Fi reception has to be stable, and the login username and password of your home Wi-Fi are required.
- Smart Devices: One of the devices is required, an iPhone 5 or later, a device using iOS8.0 or later, or Android 4.2 or later.
- Mobile Data: To operate Wi-Fi Box, you will need a mobile device which is able to connect to internet or an available Wi-Fi connection.

Setup Instructions

• Buttons and Ports:



1. If you want to switch WIFI AP, please press P button and follow Step 5. from App Installation to reset.
2. Please press R button to restart when the Red light flashes continually or system failure happens.

• LED description:

Blue: LED will be flashing during WIFI pairing, and be ON when completed.

Green: LED will be flashing if receives signal from APP.

If your home WIFI disconnects, the green light will continuously flash, and it will be off until WIFI is connected again.

Red: System failure or wrong PIN.

BLANCO

Home Automation & security



We wish you success